

NPM-6 Series Transceivers

Service tools

[This page left intentionally blank]

Table of Contents

	Page No
JBV-1 Docking Station and MJF-27 Adapter	5
Product Code	5
MJS-49 Module Test Jig	7
Product Code	7
MJS-72 Soldering Jig	8
Product Code	8
SES-3 Rework Stencil 0770558	9
FPS-8 Flash Prommer (Sales Pack)	10
Sales package code	10
FPS-8C Parallel Flash Prommer (Sales Pack)	11
Sales package code	11
ACF-8 Universal Power Supply	12
Product Code	12
FLA-42 POS (Point Of Sale) Flash Loading Adapter	13
Product Code	13
FLC-2 DC Cable	14
Product Code	14
AXS-4 Service Cable	15
Product code	15
XCS-1 Service Cable	16
Product code	16
SW Security Device PKD-1	17
FLS-4S POS (Point Of Sale) Flash Device (Sales Pack)	18
Product Code	18
PCS-1 Power Cable	19
Product Code	19
XRF-1 RF Cable	20
Product code	20
DAU-9S MBUS Cable	21
Product Code	21
SCB-3 DC Cable	22
Product Code	22
XCS-4 Modular Cable	23
Product code	23
Printer Cable	24
Product code	24

List of figures

	Page No
Fig 1 View of MJF-27	6
Fig 2 View of MJS-49	7
Fig 3 View of MJS-72	8
Fig 4 View of MJS-54 and SES-1	9
Fig 5 View of FPS-8	10
Fig 6 View of FPS-8C	11
Fig 7 View of ACF-8	12

Fig 8	View of FLA-42	13
Fig 9	View of FLC-2	14
Fig 10	View of AXS-4	15
Fig 11	View of XCS-1	16
Fig 12	View of SW Security Device	17
Fig 13	View of FLS-4S	18
Fig 14	View of PCS-1	19
Fig 15	View of XRF-1	20
Fig 16	View of DAU-9S	21
Fig 17	View of SCB-3	22
Fig 18	View of XCS-4	23
Fig 19	View of Printer Cable	24

JBV-1 Docking Station and MJF-27 Adapter

The JBV-1 Docking Station has been designed for calibration and software update use. The MJF-27 Docking Station Adapter makes signal connections to the phone. JBV-1 and MJF-27 are used as one unit.

JBV-1 main electric functions include:

- adjustable VBATT calibration voltage, current measurement limit voltage "VCHAR", current measurement calibration current "ICHAR"
- adjustable ADC calibration voltage via BSI signal
- BSI calibration resistor
- signals from FBUS to the phone via parallel jig
- control via FBUS or USB
- Flash OK/FAIL indication

In calibration mode JBV-1 is powered by external power supply 11-16V DC. In flashing power for the phone can be taken from FPS-8 or external power supply 11-16V DC.

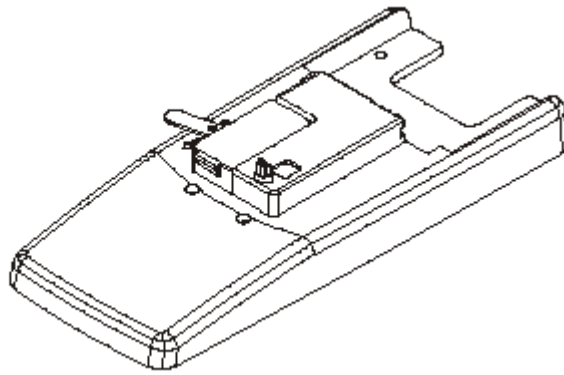
MJF-27 main electric functions are:

- phone recognizing from switch
- filters of FBUS signals
- SIM CARD reader

Product Code

JBV-1 Docking Station:	0770298
MJF-27 Docking Station Adapter:	0770460
SA-10 RF Coupler:	0770585

Figure 1: View of MJF-27



MJS-49 Module Test Jig

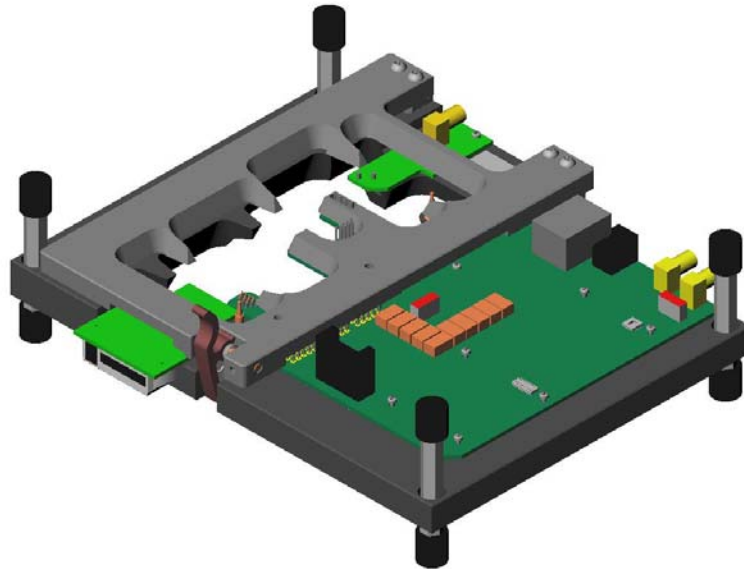
Module Testg Jig MJS-49 is designed for regional Central Services for TB4 module testing. It can be used for flashing and RF-, battery-, system-, radio- and SIM reader testing.

Product Code

MJS-49 Module Test Jig:

0770461

Figure 2: View of MJS-49



Note: The nominal supply voltage for MJS-49 is +4.2 V.

The supply voltage must not exceed +12.0 V (min 3V).

(MJS-49 includes overvoltage, overcurrent and reversed polarity protection).

For flashing with FPS-8, it is possible to bypass the regulator

(jumper).

MJS-72 Soldering Jig

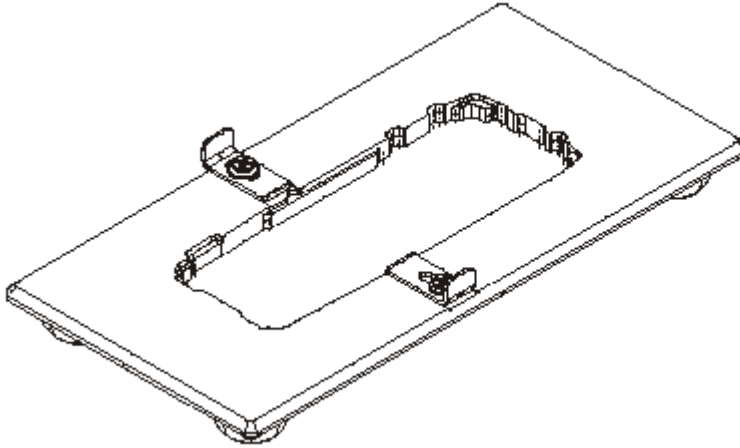
MJS-72 Soldering Jig is used for soldering and as a rework jig for AK4 module.

Product Code

MJS-72 Module Jig:

0775325

Figure 3: View of MJS-72



SES-3 Rework Stencil 0770558

Rework Stencil is used for PA Chip N700 (LGA type component) rework.

It is used together with Rework Jig MJS-76 and SPS-1 Soldering Paste Spreader.

The tools needed for rework include:

MJS-76 Rework Jig: 0770417

SES-3 Stencil: 0770558

SPS-1 Soldering Paste Spreader: 0770381

FPS-8 Flash Prommer (Sales Pack)

The Flash Prommer FPS-8 is used with e.g. MJF-27 and JBV-1. Power is supplied to FPS-8 from the Universal Power Supply.

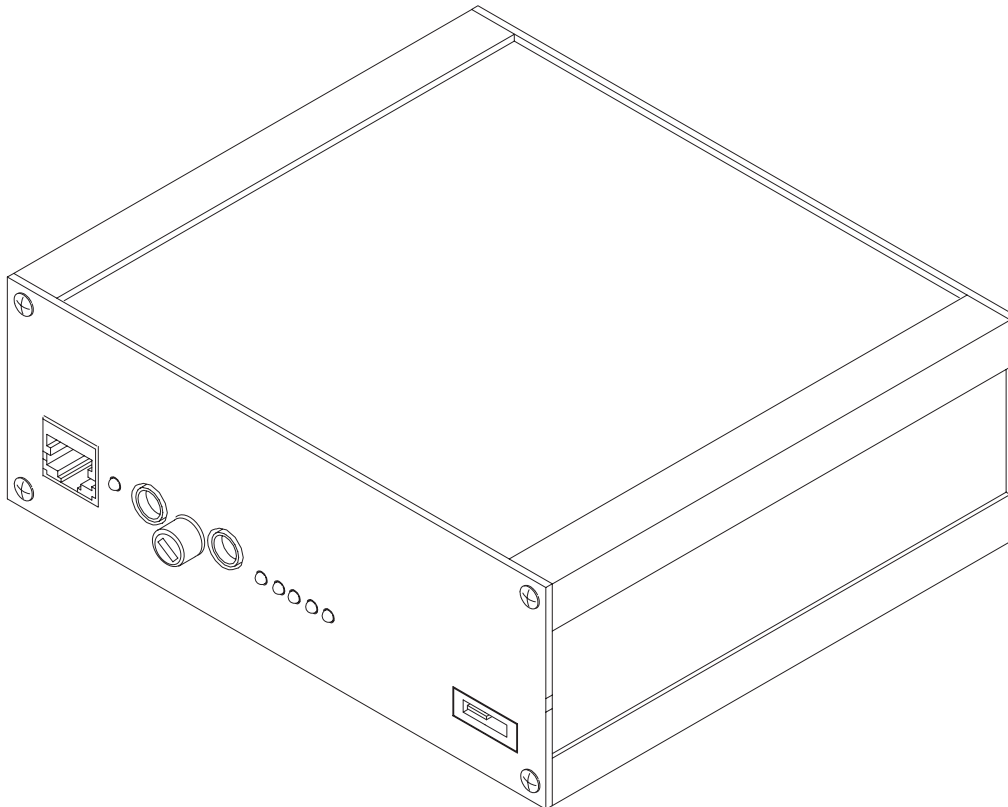
The sales pack includes:

- FPS-8 Flash Prommer 0750123
- FPS-8 Activation Sheet 9359289
- Universal Power Supply 0680032
- AXS-4 Service Cable (D9-D9)0730090
- Printer cable 0730029

Sales package code

FPS-8 Flash Prommer: 0080321

Figure 4: View of FPS-8



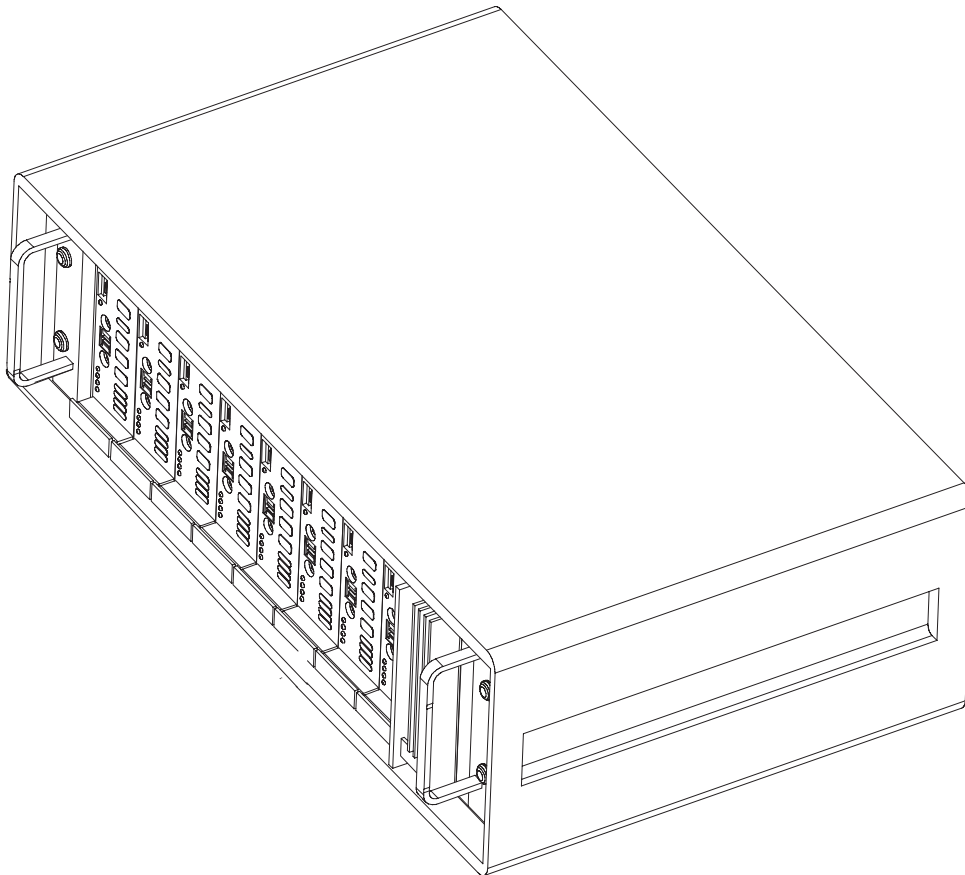
FPS-8C Parallel Flash Prommer (Sales Pack)

The Parallel Flash Prommer FPS-8C is used with MJF-27 and JBV-1. Flash programming can be done to maximum of 8 phones parallel. FPS-8C consists of eight SF11C programming cards. SF11C card is functionally identical to FPS-8.

Sales package code

FPS-8C Parallel Flash Prommer: 0080396

Figure 5: View of FPS-8C



ACF-8 Universal Power Supply

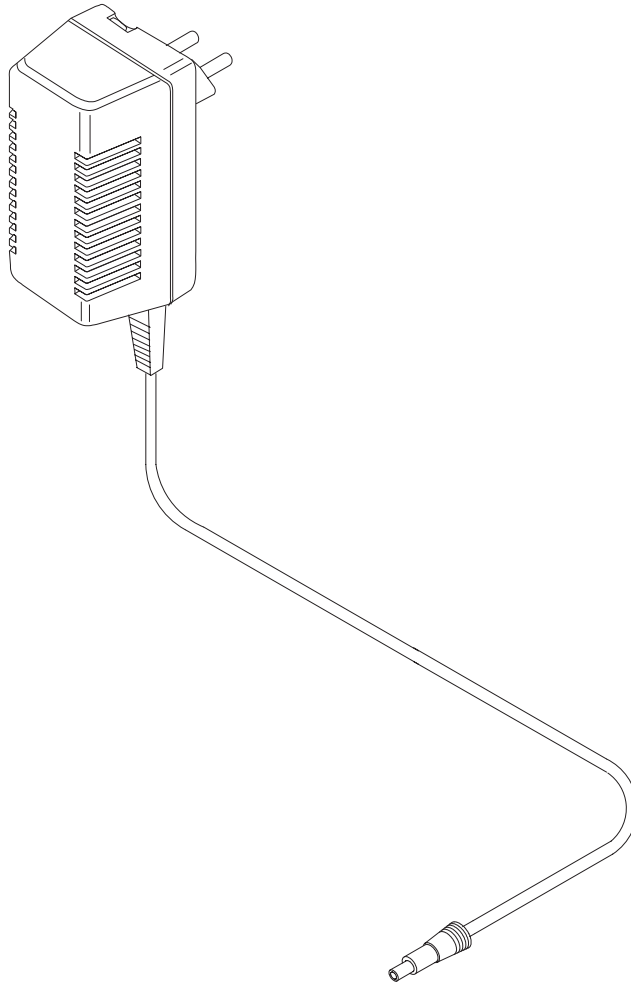
ACF-8 Universal Power Supply is used to power FPS-8. ACF-8 has 6 V DC and 2.1 A output.

Product Code

ACF-8 Universal Power Supply:

0680032

Figure 6: View of ACF-8



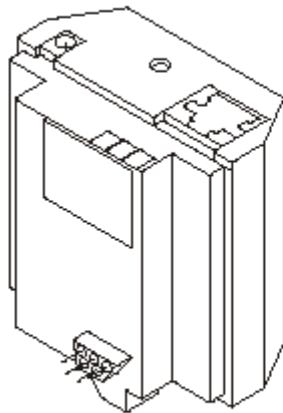
FLA-42 POS (Point Of Sale) Flash Loading Adapter

FLA-42 POS Flash Loading Adapter is used in place of the phone's normal battery during service, to supply a controlled operating voltage.

Product Code

FLA-42 POS Flash Loading Adapter: 0770459

Figure 7: View of FLA-42



FLC-2 DC Cable

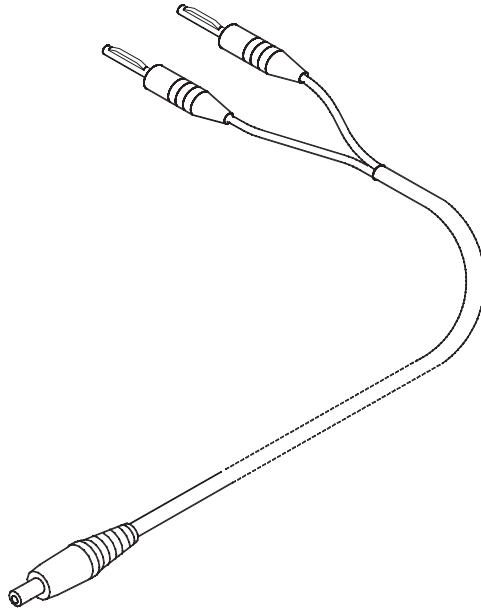
The FLC-2 is used to supply a controlled operating voltage.

Product Code

FLC-2 DC Cable:

0730185

Figure 8: View of FLC-2



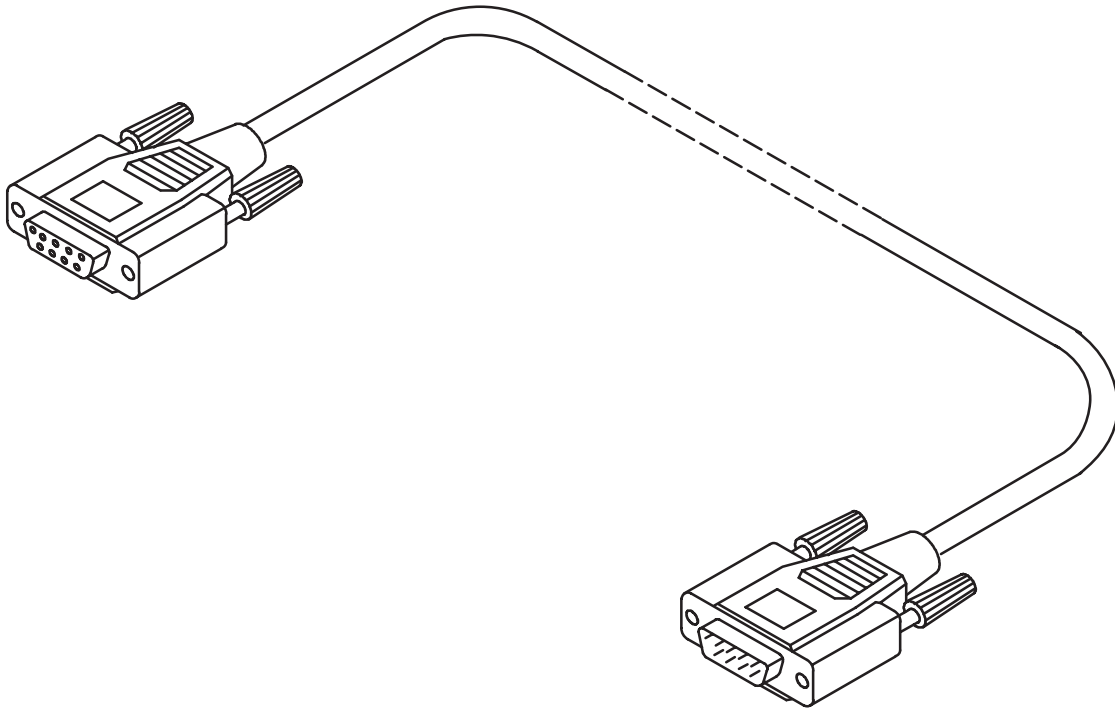
AXS-4 Service Cable

The AXS-4 D9-D9 Service Cable is used to connect two 9 pin D connectors e.g. between PC and FPS-8. Cable length is 2 meters.

Product code

AXS-4 D9-D9 Service Cable: 0730090

Figure 9: View of AXS-4



XCS-1 Service Cable

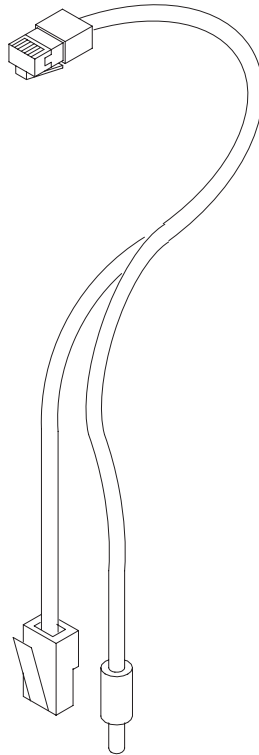
The XCS-1 Service Cable is used to connect FLS-4 to FLA-42.

Product code

XCS-1 Service Cable:

0730218

Figure 10: View of XCS-1



SW Security Device PKD-1

SW security device is a piece of hardware enabling the use of the service software when connected to the parallel (LPT) port of the PC. Without the dongle present it is not possible to use the service software. Printer or any such device can be connected to the PC through the dongle if need ed.

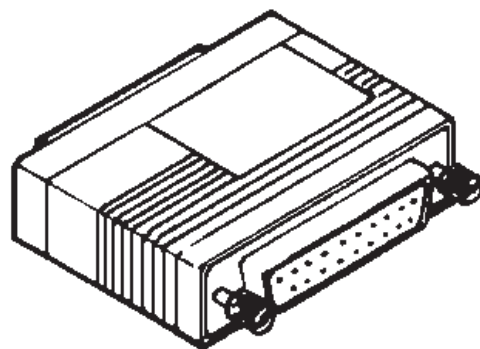
Caution: Make sure that you have switched off the PC and the printer before making connections!

Caution: Do not connected the PKD-1 to the serial port. You may dam age your PKD-1!

Product Code

SW Security Device PKD-1: 0750018

Figure 11: View of SW Security Device



G0750018

FLS-4S POS (Point Of Sale) Flash Device (Sales Pack)

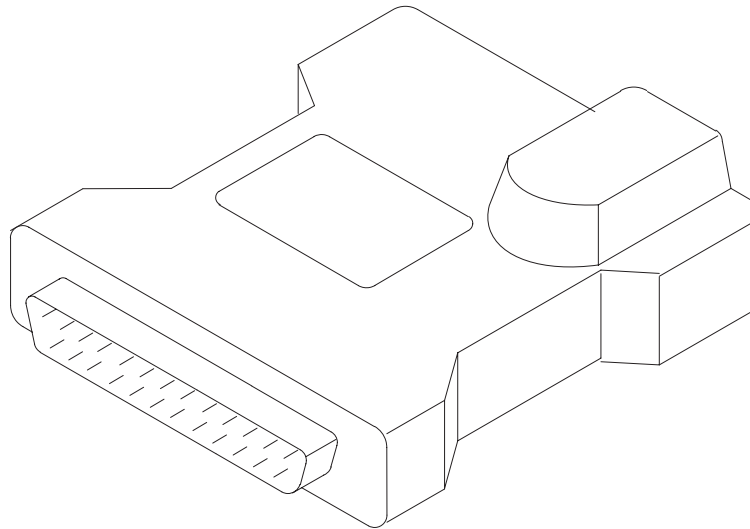
FLS-4S is a dongle and flash device incorporated into one package, developed specifically for POS use.

Product Code

Sales Pack - Europe/Africa 0080541

Sales Pack -APAC 0080542

Figure 12: View of FLS-4S



PCS-1 Power Cable

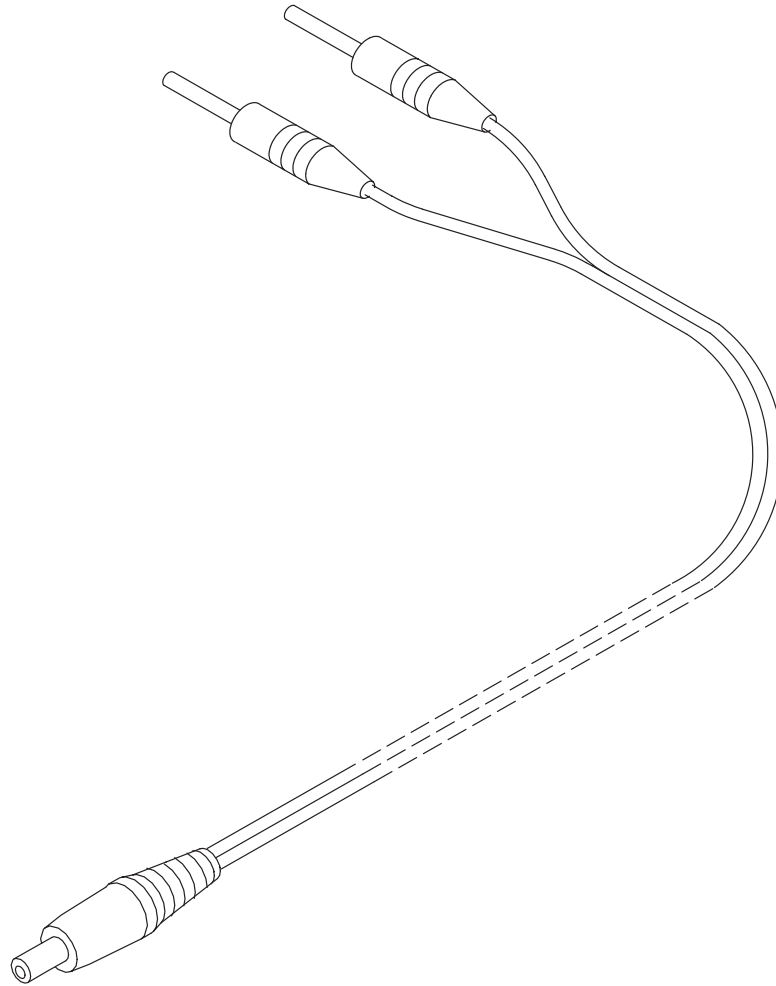
The PCS-1 Power Cable (DC) is used to connect e.g. JBV-1 to FPS-8.

Product Code

PCS-1 Power Cable:

0730012

Figure 13: View of PCS-1



XRF-1 RF Cable

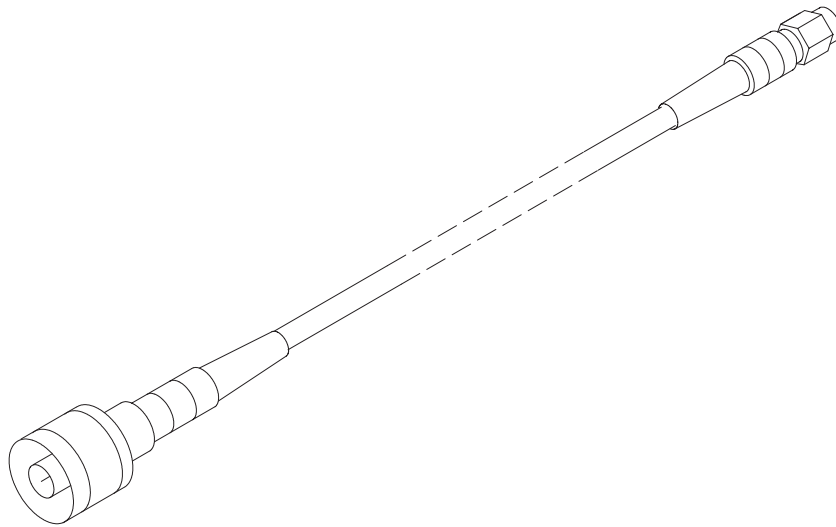
RF cable XRF-1 is used to connect e.g. Module Jig MJS-39 to RF measurement equipment..

Product code

XRF-1 RF Cable:

0730085

Figure 14: View of XRF-1



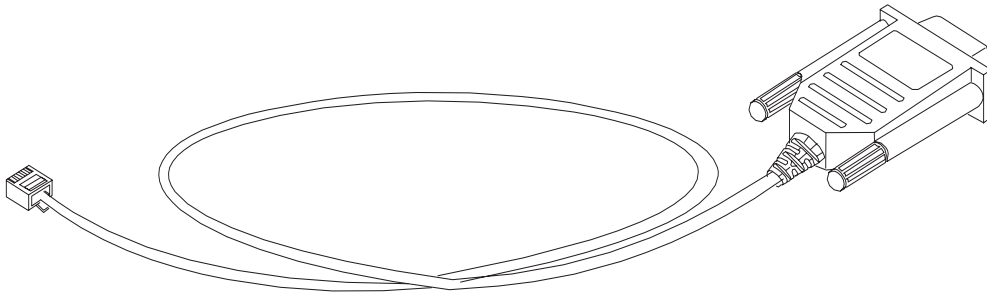
DAU-9S MBUS Cable

The MBUS Cable DAU-9S has a modular connector, and is used with between PC's serial port and e.g. Module Jig MJS-39.

Product Code

DAU-9S MBUS Cable: 0730108

Figure 15: View of DAU-9S



SCB-3 DC Cable

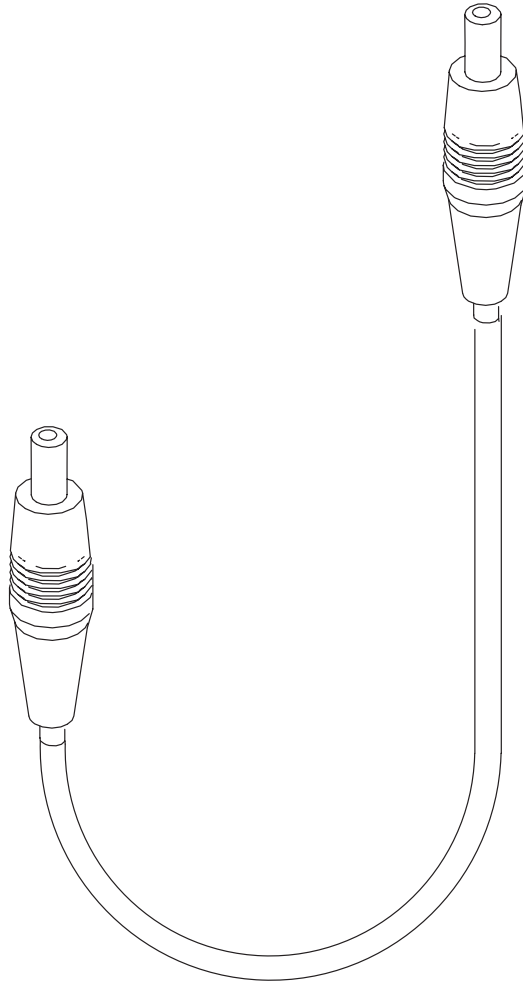
The DC Cable SCB-3 is used to connect e.g. JBV-1 to the phone.

Product Code

SCB-3 DC Cable: 0730114

Figure 16: View of SCB-3

-3



XCS-4 Modular Cable

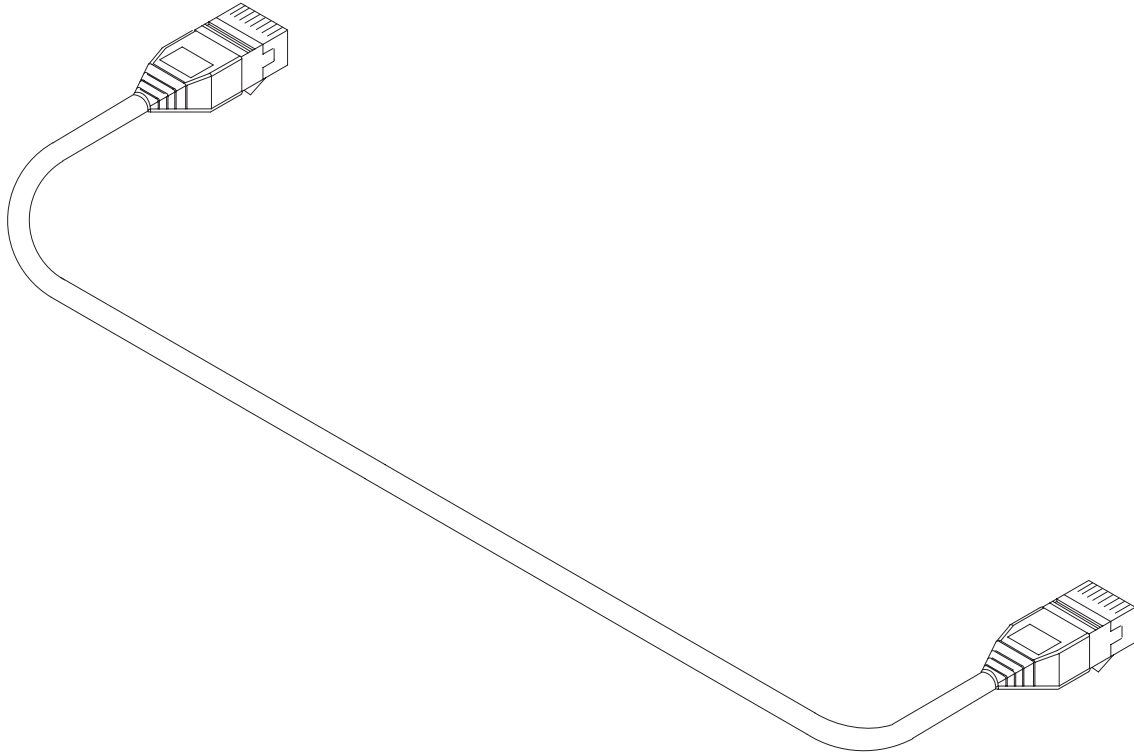
XCS-4 is a shielded cable (one specially shielded conductor) modular cable for flashing and service purposes.

Product code

XCS-4 Modular Cable:

0730178

Figure 17: View of XCS-4



Printer Cable

This cable is used to connect the PC to FPS-8.

Product code

Printer Cable:

0730029

Figure 18: View of Printer Cable

